



FL 21 METAL

This cut-out size is widely used especially in northern Europe. FL21 is commonly referred to as C size cut-out. Metal insert is used to reinforce the structure and it is made of zinc coated steel.

These membrane-based cable entry plates are designed to be used with cables without connectors, tubes and pneumatic or hydraulic hoses.



MC 3/7



Advantages

- Fast and easy assembly
- High cable density
- Double sealing with excellent IP protection when cables are bent
- Screw mounting
- Suitable for both indoor and outdoor use

Technical Specifications

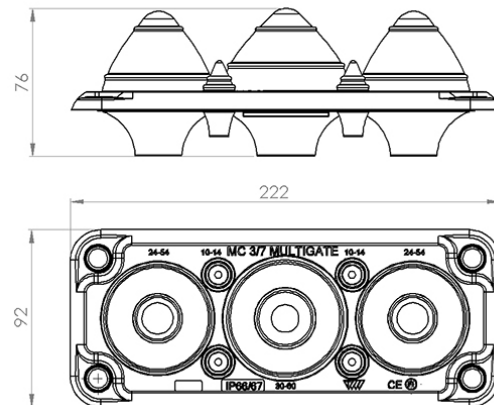
- IP rating: IP66 and IP67
- Material: Thermoplastic elastomer
- Metal reinforcement: zinc coated steel
- Colour: Black or Grey
- Self-extinguishing option available
- Material service temperature (unstressed): -40 °C...+100 °C
- Mounting type: Screw type mounting
- Diam. of screw holes: 9.5 mm

Installation Range (Ø)

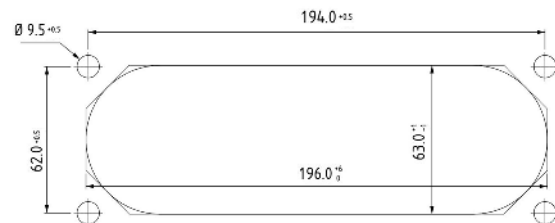
- 2 x 24mm - 54mm
- 1 x 30mm - 60mm
- 4 x 10mm - 14mm

Total of 7 cables

Dimensions of MC 3/7



Cut-out dimensions



B Bulk packed	B Single packed	F Bulk packed with fastener pins	C Single packed with fastener pins
MC 3/7	FL21 cut-out	Single packed 40 pcs/box	Bulk packed 60 pcs/box

Art.No.	Description	Packing code	Material Properties	Weight (g)
105041	MC 3/7 LIGHT GREY UL94 V-0	●	UL94 V-0, self-extinguishing	225
105041B	MC 3/7 LIGHT GREY UL94 V-0	●	UL94 V-0, self-extinguishing	225
103577	MC 3/7 LIGHT GREY	●	halogen-free	225
103577B	MC 3/7 LIGHT GREY	●	halogen-free	225
103576	MC 3/7 GREY	●	halogen-free	225
103576B	MC 3/7 GREY	●	halogen-free	225
103580	MC 3/7 BLACK V-0	●	UL94 V-0, self-extinguishing	225
103580B	MC 3/7 BLACK V-0	●	UL94 V-0, self-extinguishing	225



MC 25/27



Advantages

- Fast and easy assembly
- High cable density
- Double sealing with excellent IP protection when cables are bent
- Screw mounting
- Suitable for both indoor and outdoor use

Technical Specifications

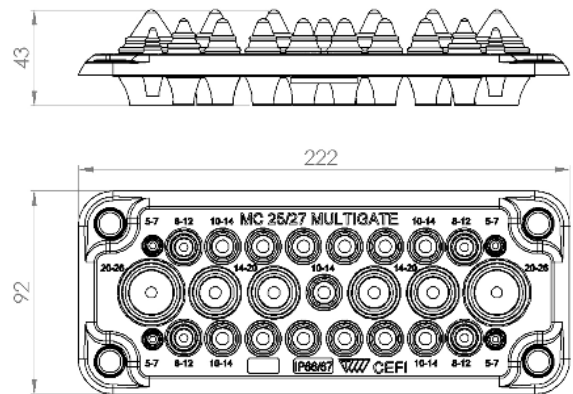
- IP rating: IP66 and IP67
- Material: Thermoplastic elastomer
- Metal reinforcement: zinc coated steel
- Colour: Black or Grey
- Self-extinguishing option available
- Material service temperature (unstressed): -40 °C...+100 °C
- Mounting type: Screw type mounting
- Diam. of screw holes: 9.5 mm

Installation Range (Ø)

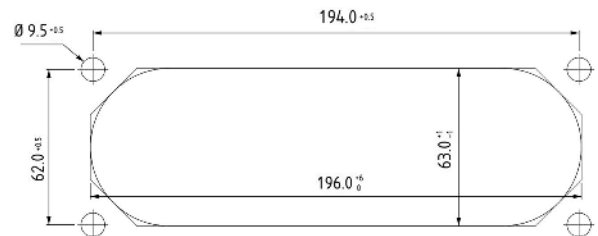
- 4 x 5mm - 7mm 4 x 14mm - 20mm
- 4 x 8mm - 12mm 2 x 20mm - 26mm
- 13 x 10mm - 14mm

Total of 27 cables

Dimensions of MC 25/27



Cut-out dimensions



B
Bulk packed

F
Single packed with fastener pins

C
Single packed with fastener pins

MC 25/27

FL21
cut-out

Single packed
40 pcs/box

Bulk packed
60 pcs/box

Art.No.	Description	Packaging code	Material Properties	Weight (g)
105042	MC 25/27 LIGHT GREY UL94 V-0	●	UL94 V-0, self-extinguishing	220
105042B	MC 25/27 LIGHT GREY UL94 V-0	●	UL94 V-0, self-extinguishing	220
103584	MC 25/27 LIGHT GREY	●	halogen-free	215
103584B	MC 25/27 LIGHT GREY	●	halogen-free	215
103583	MC 25/27 GREY	●	halogen-free	215
103583B	MC 25/27 GREY	●	halogen-free	215
103586	MC 25/27 BLACK V-0	●	UL94 V-0, self-extinguishing	225
103586B	MC 25/27 BLACK V-0	●	UL94 V-0, self-extinguishing	225



MC 35/37



Advantages

- Fast and easy assembly
- High cable density
- Double sealing with excellent IP protection when cables are bent
- Screw mounting
- Suitable for both indoor and outdoor use

Technical Specifications

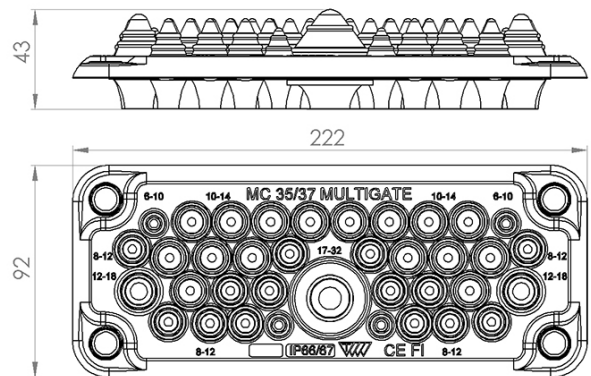
- IP rating: IP66 and IP67
- Material: Thermoplastic elastomer
- Metal reinforcement: zinc coated steel
- Colour: Black or Grey
- Self-extinguishing option available
- Material service temperature (unstressed): -40 °C...+100 °C
- Mounting type: Screw type mounting
- Diam. of screw holes: 9.5 mm

Installation Range (Ø)

- 4 x 6mm - 10mm
- 2 x 12mm - 18mm
- 14 x 8mm - 12mm
- 1 x 17mm - 32mm
- 16 x 10mm - 14mm

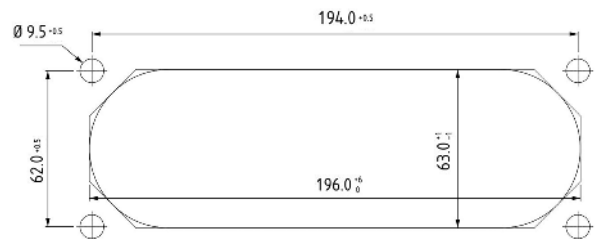
Total of 37 cables

Dimensions of MC 35/37



B Bulk packed	B Single packed	F Bulk packed with fastener pins	C Single packed with fastener pins
MC 35/37	FL21 cut-out	Single packed 40 pcs/box	Bulk packed 60 pcs/box

Cut-out dimensions



Art.No.	Description	Packaging code	Material Properties	Weight (g)
105043	MC 35/37 LIGHT GREY UL94V-0	●	UL94 V-0, self-extinguishing	240
105043B	MC 35/37 LIGHT GREY UL94V-0	●	UL94 V-0, self-extinguishing	240
103589	MC 35/37 LIGHT GREY	●	halogen-free	240
103589B	MC 35/37 LIGHT GREY	●	halogen-free	240
103588	MC 35/37 GREY	●	halogen-free	240
103588B	MC 35/37 GREY	●	halogen-free	240
103591	MC 35/37 BLACK V-0	●	UL94 V-0, self-extinguishing	240
103591B	MC 35/37 BLACK V-0	●	UL94 V-0, self-extinguishing	240



MC 3



Advantages

- Fast and easy assembly
- High cable density
- Double sealing with high IP protection
- Suitable for both indoor and outdoor use

Technical Specifications

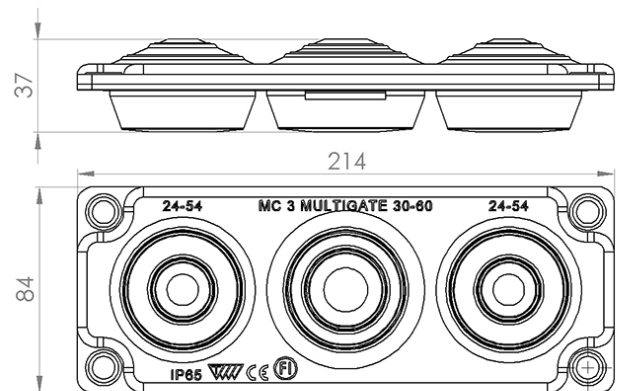
- IP rating: IP65
- Material: Thermoplastic elastomer
- Metal reinforcement: zinc coated steel
- Colour: Black or grey
- Self-extinguishing option available
- Material service temperature (unstressed): -40 °C...+100 °C
- Mounting type: Screw type mounting
- Diam. of screw holes: 9.5 mm

Installation Range (Ø)

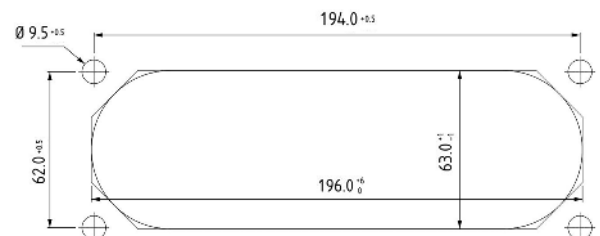
- 4 x 8mm - 12mm
- 2 x 24mm - 54mm
- 1 x 30mm - 60mm

Total of 7 cables

Dimensions of MC 3



Cut-out dimensions



B Bulk packed	B Single packed	F Bulk packed with fastener pins	C Single packed with fastener pins
MC 3	FL21 cut-out	Single packed 80 pcs/box	Bulk packed 100 pcs/box

Art.No.	Description	Packing code	Material Properties	Weight (g)
100234F	MC 3 LIGHT GREY	●	halogen-free	200
100234C	MC 3 LIGHT GREY	●	halogen-free	200
100235	MC 3 BLACK V-0	●	UL94 V-0, self-extinguishing	215
100235B	MC 3 BLACK V-0	●	UL94 V-0, self-extinguishing	215
100233F	MC 3 GREY	●	halogen-free	205
100233C	MC 3 GREY	●	halogen-free	205



MC 10



Advantages

- Fast and easy assembly
- High cable density
- Screw mounting
- Suitable for both indoor and outdoor use

Technical Specifications

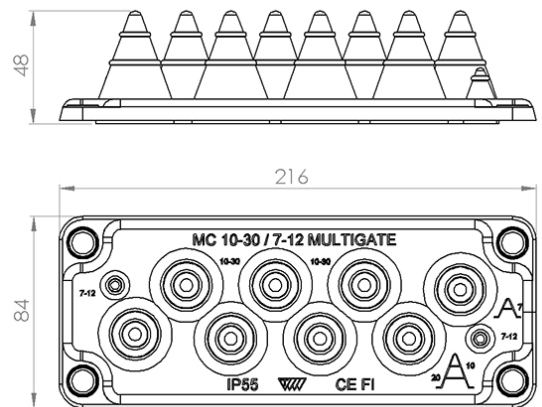
- IP rating: IP55
- Material: Thermoplastic elastomer (TPE)
- Colour: Light grey
- Material service temperature (unstressed): -40 °C...+100 °C
- Mounting type: Screw type mounting
- Diam. of screw holes: 9.5 mm

Installation Range (Ø)

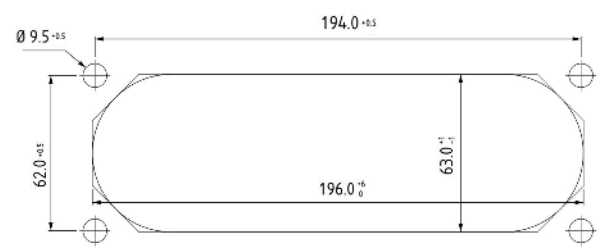
- 2 x 7mm - 12mm
- 8 x 10mm - 30mm

Total of 10 cables

Dimensions of MC 10



Cut-out dimensions



B Bulk packed

F Bulk packed with fastener pins

C Single packed with fastener pins

MC 10

FL21 cut-out

Bulk packed
100 pcs/box

Art.No.	Description	Packing code	Material Properties	Weight (g)
103552	MC 10 LIGHT GREY UL94 V-0	●	UL94 V-0	205



MC 25



Advantages

- Fast and easy assembly
- High cable density
- Double sealing with high IP protection
- Suitable for both indoor and outdoor use

Technical Specifications

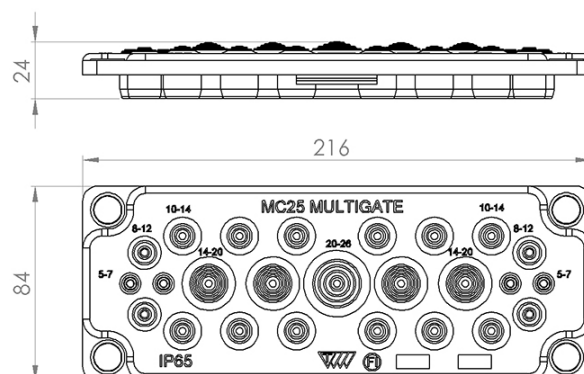
- IP rating: IP65
- Material: Thermoplastic elastomer
- Metal reinforcement: zinc coated steel
- Colour: Black or grey
- Self-extinguishing option available
- Material service temperature (unstressed): -40 °C...+100 °C
- Mounting type: Screw type mounting
- Diam. of screw holes: 9.5 mm

Installation Range (Ø)

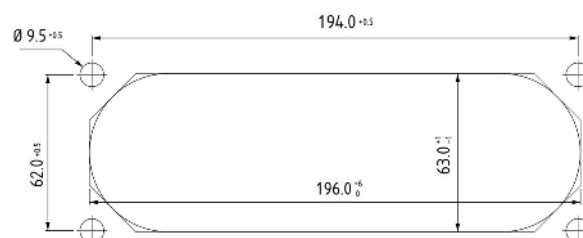
- 4 x 5mm - 7mm 4 x 14mm - 22mm
- 4 x 8mm - 12mm 1 x 20mm - 26mm
- 12 x 10mm - 14mm

Total of 25 cables

Dimensions of MC 25



Cut-out dimensions



A Bulk packed	B Single packed	F Bulk packed with fastener pins	C Single packed with fastener pins
MC 25	FL21 cut-out	Single packed 80 pcs/box	Bulk packed 100 pcs/box

Art.No.	Description	Packing code	Material Properties	Weight (g)
100238F	MC 25 LIGHT GREY	●	halogen-free	215
100238C	MC 25 LIGHT GREY	●	halogen-free	215
100239	MC 25 BLACK V-0	●	UL94 V-0, self-extinguishing	215
100239B	MC 25 BLACK V-0	●	UL94 V-0, self-extinguishing	215
100237F	MC 25 GREY	●	halogen-free	235
100237C	MC 25 GREY	●	halogen-free	215



MC 35



Advantages

- Fast and easy assembly
- High cable density
- Double sealing with high IP protection
- Suitable for both indoor and outdoor use

Technical Specifications

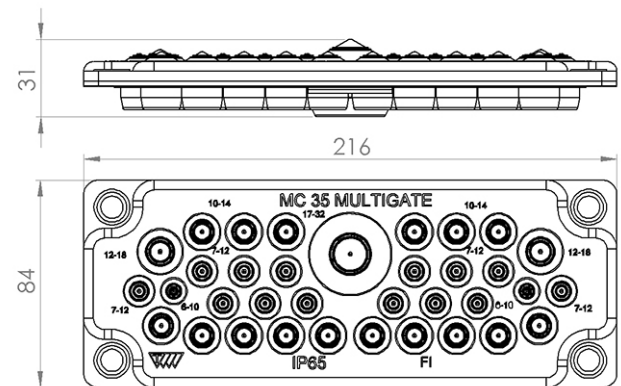
- IP rating: IP65
- Material: Thermoplastic elastomer
- Metal reinforcement: zinc coated steel
- Colour: Black or grey
- Self-extinguishing option available
- Material service temperature (unstressed): -40 °C...+100 °C
- Mounting type: Screw type mounting
- Diam. of screw holes: 9.5 mm

Installation Range (Ø)

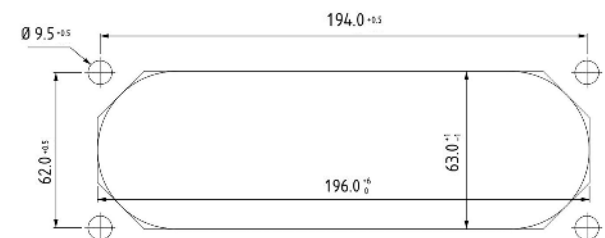
- 2 x 6mm - 10mm
- 2 x 12mm - 18mm
- 14 x 7mm - 12mm
- 1 x 17mm - 32mm
- 16 x 10mm - 14mm

Total of 35 cables

Dimensions of MC 35



Cut-out dimensions



B
Bulk packed

F
Single packed with fastener pins

C
Single packed with fastener pins

MC 35

FL21 cut-out

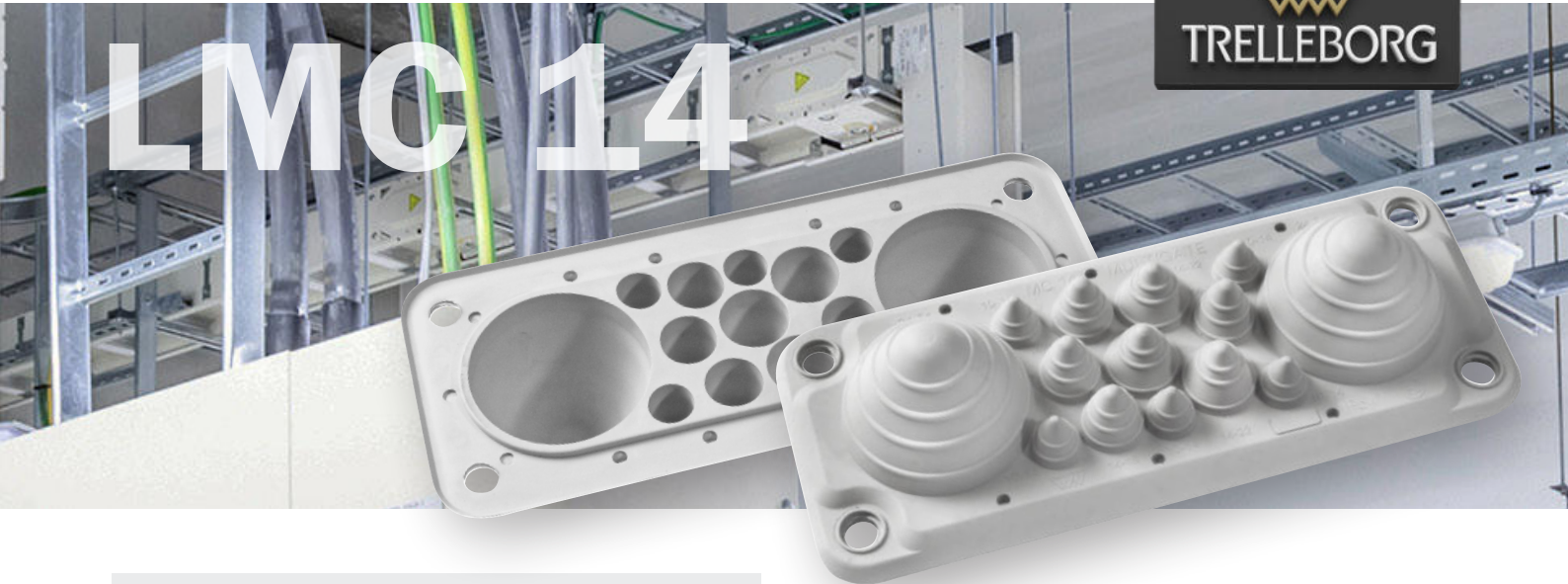
Single packed 80 pcs/box

Bulk packed 100 pcs/box

Art.No.	Description	Packing code	Material Properties	Weight (g)
100244F	MC 35 LIGHT GREY	●	halogen-free	225
100244C	MC 35 LIGHT GREY	●	halogen-free	225
100245	MC 35 BLACK V-0	●	UL94 V-0, self-extinguishing	240
100245B	MC 35 BLACK V-0	●	UL94 V-0, self-extinguishing	240
100243F	MC 35 GREY	●	halogen-free	225
100243C	MC 35 GREY	●	halogen-free	225



LMC 14



Advantages

- Fast and easy assembly
- High cable density
- Suitable for both indoor and outdoor use

Technical Specifications

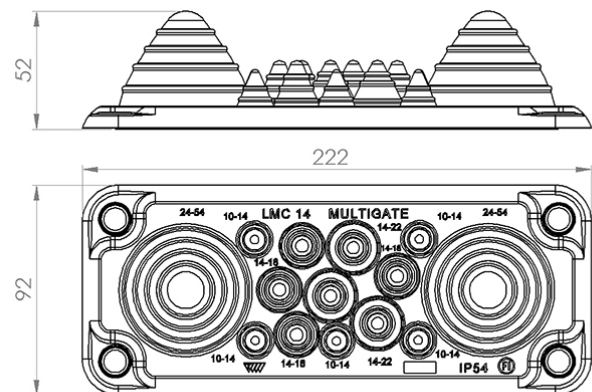
- IP rating: IP54
- Material: Thermoplastic elastomer
- Metal reinforcement: zinc coated steel
- Colour: Light grey
- Self-extinguishing option available
- Material service temperature (unstressed): -40 °C...+100 °C
- Mounting type: Screw type mounting
- Diam. of screw holes: 9.5 mm

Installation Range (Ø)

- 5 x 10mm - 14mm 3 x 14mm - 22mm
- 4 x 14mm - 18mm 2 x 24mm - 54mm

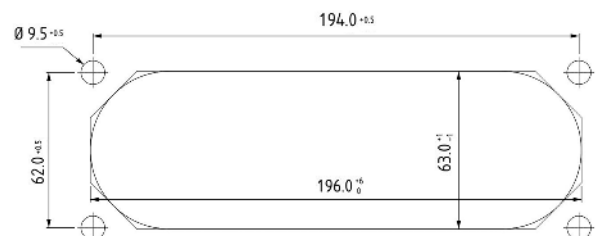
Total of 14 cables

Dimensions of LMC 14



B Bulk packed	B Single packed	F Bulk packed with fastener pins	C Single packed with fastener pins
LMC 14	FL21 cut-out	Single packed 80 pcs/box	Bulk packed 100 pcs/box

Cut-out dimensions



Art.No.	Description	Packing code	Material Properties	Weight (g)
104338	LMC 14 LIGHT GREY UL94 V-0	●	UL94 V-0, self-extinguishing	200
104338B	LMC 14 LIGHT GREY UL94 V-0	●	UL94 V-0, self-extinguishing	200
105002F	LMC 14 LIGHT GREY	●	halogen-free	185
105002C	LMC 14 LIGHT GREY	●	halogen-free	185



LMC 25



Advantages

- Fast and easy assembly
- High cable density
- Screw mounting
- Suitable for both indoor and outdoor use

Technical Specifications

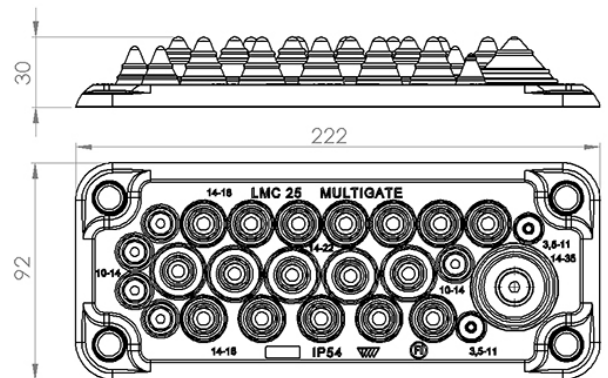
- IP rating: IP54
- Material: Thermoplastic elastomer
- Metal reinforcement: zinc coated steel
- Colour: Light grey
- Self-extinguishing option available
- Material service temperature (unstressed): -40 °C...+100 °C
- Mounting type: Screw type mounting
- Diam. of screw holes: 9.5 mm

Installation Range (Ø)

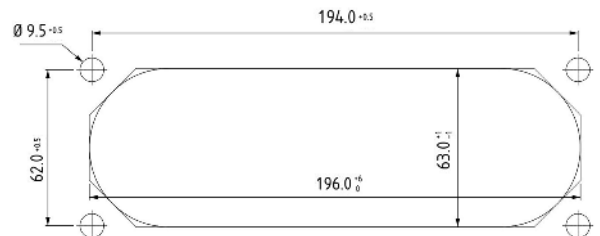
- 2 x 3mm - 11mm 5 x 14mm - 22mm
- 5 x 10mm - 14mm 1 x 14mm - 35mm
- 12 x 14mm - 18mm

Total of 25 cables

Dimensions of LMC 25



Cut-out dimensions



B Bulk packed	B Single packed	F Bulk packed with fastener pins	C Single packed with fastener pins
LMC 25	FL21 cut-out	Single packed 80 pcs/box	Bulk packed 100 pcs/box

Art.No.	Description	Packing code	Material Properties	Weight (g)
104335	LMC 25 LIGHT GREY UL94 V-0	●	UL94 V-0, self-extinguishing	205
104335B	LMC 25 LIGHT GREY UL94 V-0	●	UL94 V-0, self-extinguishing	205
105003F	LMC 25 LIGHT GREY	●	halogen-free	205
105003C	LMC 25 LIGHT GREY	●	halogen-free	205

LMC 35



Advantages

- Fast and easy assembly
- High cable density
- Screw mounting
- Suitable for both indoor and outdoor use

Technical Specifications

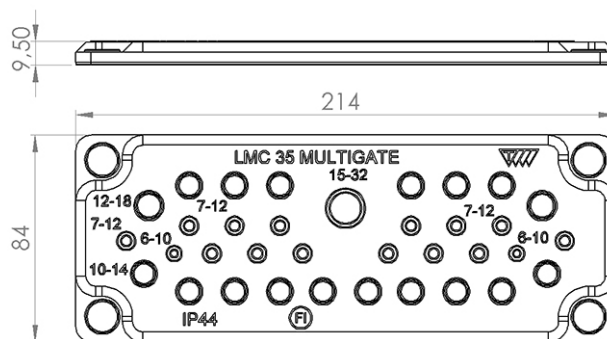
- IP rating: IP44
- Material: Thermoplastic elastomer
- Metal reinforcement: zinc coated steel
- Colour: Light grey
- Self-extinguishing option available
- Material service temperature (unstressed): -40 °C...+100 °C
- Mounting type: Screw type mounting
- Diam. of screw holes: 9.5 mm

Installation Range (Ø)

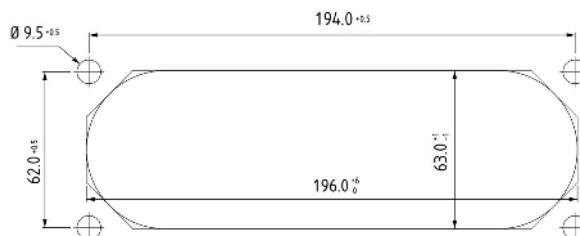
- 2 x 6mm - 11mm
- 2 x 12mm - 18mm
- 14 x 7mm - 12mm
- 1 x 15mm - 32mm
- 16 x 10mm - 14mm

Total of 35 cables

Dimensions of LMC 35



Cut-out dimensions



A Bulk packed	B Single packed	F Bulk packed with fastener pins	C Single packed with fastener pins
LMC 35	FL21 cut-out	Single packed 80 pcs/box	Bulk packed 100 pcs/box

Art.No.	Description	Packing code	Material Properties	Weight (g)
100241	LMC 35 LIGHT GREY	●	halogen-free	180



LMC 51



Advantages

- Fast and easy assembly
- High cable density
- Screw mounting
- Suitable for both indoor and outdoor use

Technical Specifications

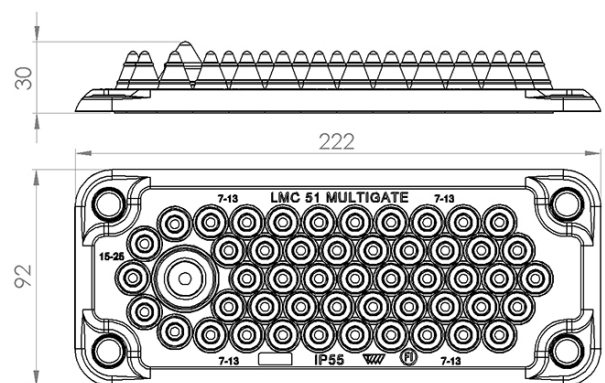
- IP rating: IP55
- Material: Thermoplastic elastomer
- Metal reinforcement: zinc coated steel
- Colour: Light grey
- Self-extinguishing option available
- Material service temperature (unstressed): -40 °C...+100 °C
- Mounting type: Screw type mounting
- Diam. of screw holes: 9.5 mm

Installation Range (∅)

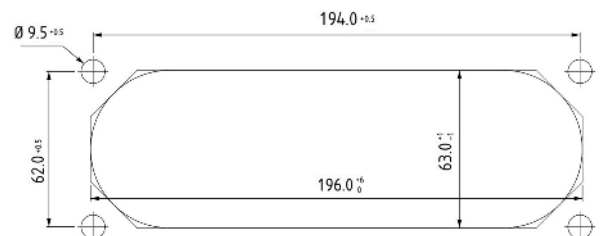
50 x 7mm - 13mm
1 x 15mm - 25mm

Total of 51 cables

Dimensions of LMC 51



Cut-out dimensions

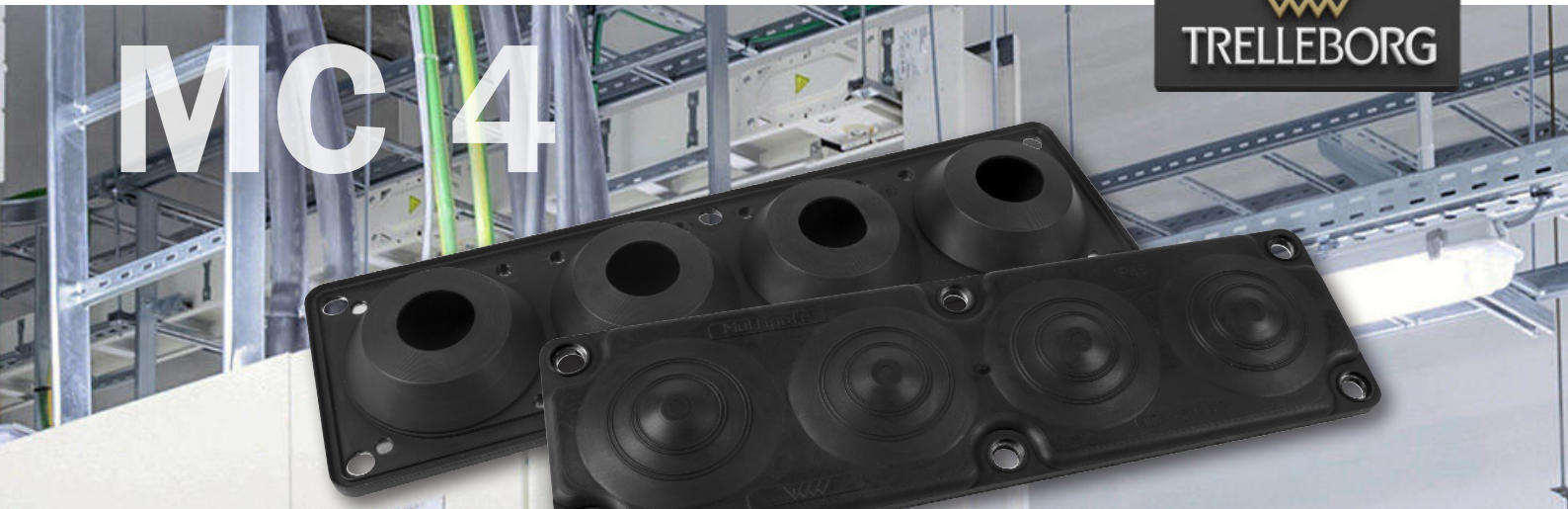


B Bulk packed	B Single packed	F Bulk packed with fastener pins	C Single packed with fastener pins
LMC 51	FL21 cut-out	Single packed 80 pcs/box	Bulk packed 100 pcs/box

Art.No.	Description	Packaging Unit	Material Properties	Weight (g)
104344	LMC 51 LIGHT GREY UL94 V-0	●	UL94 V-0, self-extinguishing	210
104344B	LMC 51 LIGHT GREY UL94 V-0	●	UL94 V-0, self-extinguishing	210
105004F	LMC 51 LIGHT GREY	●	halogen-free	210
105004C	LMC 51 LIGHT GREY	●	halogen-free	210



MC 4



Advantages

- Fast and easy assembly
- High cable density
- Double sealing with high IP protection
- Suitable for both indoor and outdoor use

Technical Specifications

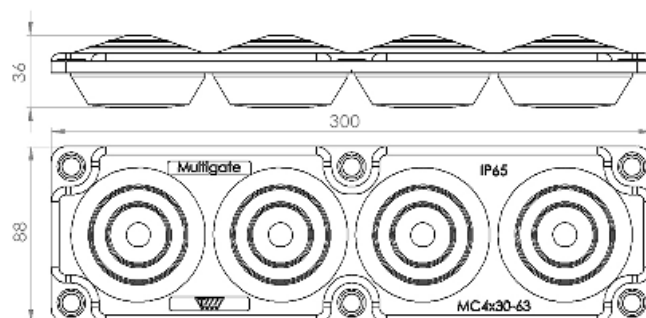
- IP rating: IP65
- Material: Thermoplastic elastomer
- Metal reinforcement: stainless steel
- Colour: Black
- Material self-extinguishing
- Material service temperature (unstressed): -40 °C...+100 °C
- Mounting type: Screw type mounting
- Diam. of screw holes: 9.5 mm

Installation Range (Ø)

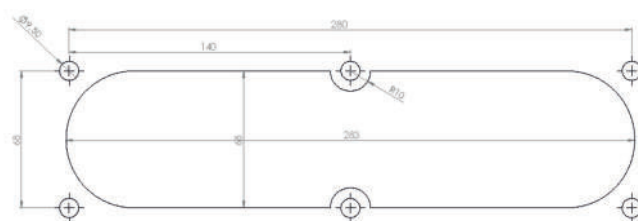
4 x 30mm - 63mm

Total of 4 cables

Dimensions of cable entry plates



Dimensions of mounting hole



B Bulk packed Single packed	F Bulk packed with fastener pins	C Single packed with fastener pins
MC 4	Special cut-out	Stainless steel
		Bulk packed 50 pcs/box

Art.No.	Description	Packing code	Material Properties	Weight (g)
103888	MC 4x30-63 BLACK UL94 V-0	●	UL94 V-0, self-extinguishing	316



FL 21 PLASTIC

This cut-out size is widely used especially in northern Europe. FL21 is commonly referred to as C size cut-out. Reinforced plastic insert is made robust, yet lightweight.

These membrane-based cable entry plates are designed to be used with cables without connectors, tubes and pneumatic or hydraulic hoses.



RMC 3



Advantages

- Sealing rings can easily be pulled off without extra tools to make RMC perfectly fit various cable sizes making the installation very fast

Technical Specifications

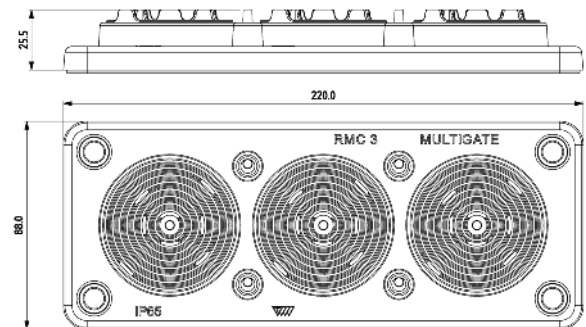
- Material: thermoplastic elastomer and fiberglass reinforced plastic
- Colour: black and light grey
- Standard M8 bolts used for mounting
- IP rating: IP65
- Self-extinguishing option available
- Material service temperature (unstressed): -40 °C...+90 °C

Installation Range (∅)

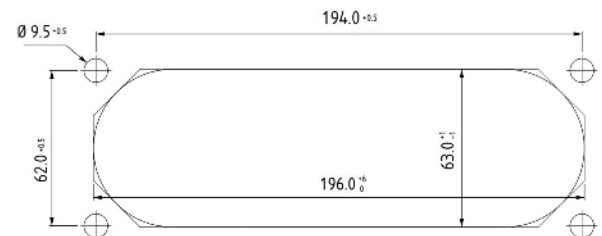
- 4 x 7mm - 10mm
- 3 x 12mm - 57mm

Total of 7 cables

Dimensions of RMC 3



Cut-out dimensions



B Bulk packed	B Single packed	F Bulk packed with fastener pins	C Single packed with fastener pins
RMC 3	FL21 cut-out	Single packed 80 pcs/box	Bulk packed 100 pcs/box

Art.No.	Description	Packing code	Material Properties	Weight (g)
107360	RMC 3 LIGHT GREY V-0	●	UL94 V-0, self-extinguishing , halogen-free	135
107360B	RMC 3 LIGHT GREY V-0	●	UL94 V-0, self-extinguishing , halogen-free	135
107443	RMC 3 LIGHT GREY	●	halogen-free	135
107443B	RMC 3 LIGHT GREY	●	halogen-free	135
107444	RMC 3 BLACK V-0	●	UL94 V-0, self-extinguishing , halogen-free	135
107444B	RMC 3 BLACK V-0	●	UL94 V-0, self-extinguishing , halogen-free	135



RMC 17



Advantages

- Sealing rings can easily be pulled off without extra tools to make RMC perfectly fit various cable sizes making the installation very fast

Technical Specifications

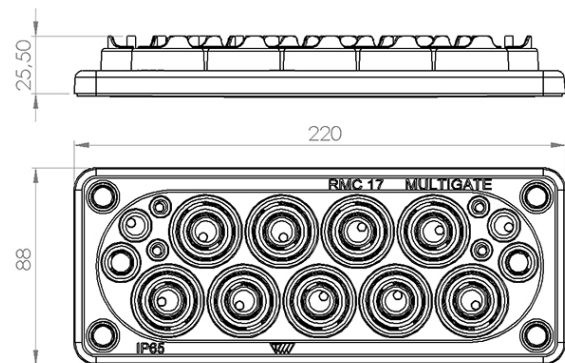
- Material: thermoplastic elastomer and fiberglass reinforced plastic
- Standard M8 bolts used for mounting
- Colour: black and light grey
- IP rating: IP65
- Self-extinguishing option available
- Material service temperature (unstressed): -40 °C...+90 °C

Installation Range (Ø)

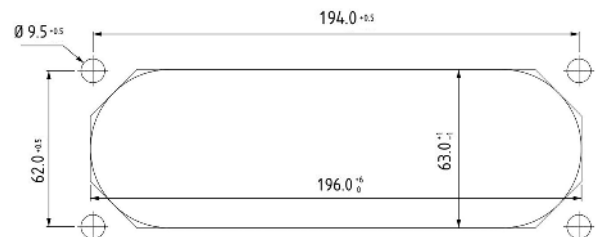
- 4 x 5mm - 7mm 9 x 10mm - 30mm
- 2 x 10mm - 12mm
- 2 x 12mm - 15mm

Total of 17 cables

Dimensions of RMC 17



Cut-out dimensions



B Bulk packed	B Single packed	F Bulk packed with fastener pins	C Single packed with fastener pins
RMC 17	FL21 cut-out	Single packed 80 pcs/box	Bulk packed 100 pcs/box

Art.No.	Description	Packing code	Material Properties	Weight (g)
107421	RMC 17 LIGHT GREY	●	halogen-free	135
107421B	RMC 17 LIGHT GREY	●	halogen-free	135
108424	RMC 17 LIGHT GREY V-0	●	UL94 V-0, self-extinguishing , halogen-free	135
108424B	RMC 17 LIGHT GREY V-0	●	UL94 V-0, self-extinguishing , halogen-free	135
106998	RMC 17 BLACK V-0	●	UL94 V-0, self-extinguishing , halogen-free	135
106998B	RMC 17 BLACK V-0	●	UL94 V-0, self-extinguishing , halogen-free	135



MC 16



Advantages

- Fast and easy assembly
- High cable density
- Optimal for leading through tubes
- Suitable for both indoor and outdoor use

Technical Specifications

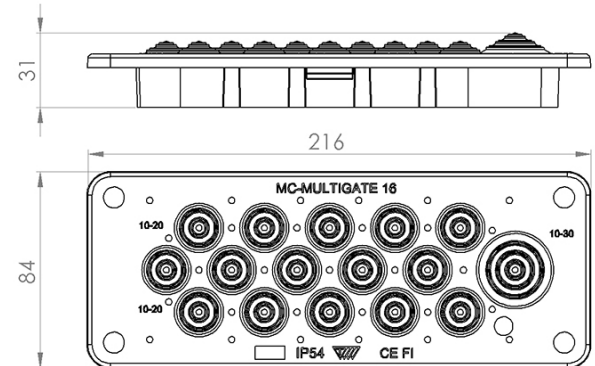
- IP rating: IP55
- Material: thermoplastic elastomer and fiberglass reinforced plastic
- Colour: light grey
- Temperature: -40°C...+100°C
- Properties: Halogen-free, Silicone-free
- Mounting type: Screw type mounting
- Diam. of screw holes: 9.5 mm

Installation Range (Ø)

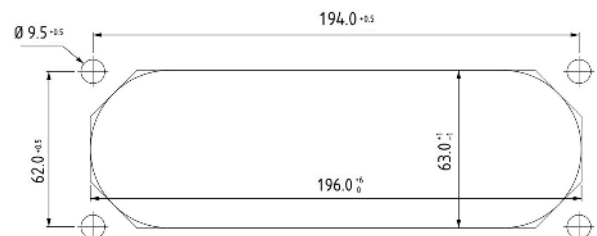
15 x 10mm - 20mm
1 x 10mm - 30mm

Total of 16 cables

Dimensions of MC 16



Cut-out dimensions



B Bulk packed	B Single packed	F Bulk packed with fastener pins	C Single packed with fastener pins
MC 16	FL21 cut-out	Single packed 80 pcs/box	Bulk packed 100 pcs/box

Art.No.	Description	Packing code	Material Properties	Weight (g)
100084F	MC 16 LIGHT GREY	●	halogen-free	120
100084C	MC 16 LIGHT GREY	●	halogen-free	120



FL 13 METAL

This cut-out size is used especially in northern Europe. FL13 is commonly referred to as B size cut-out. Metal insert is used to reinforce the structure and it is made of zinc coated steel.

These membrane-based cable entry plates are designed to be used with cables without connectors, tubes and pneumatic or hydraulic hoses.



MB 4/10



Advantages

- Fast and easy assembly
- High cable density
- Screw mounting
- Suitable for both indoor and outdoor use

Technical Specifications

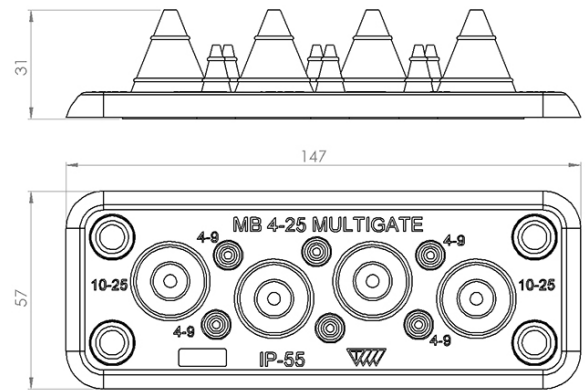
- IP rating: IP55
- Material: Thermoplastic elastomer (TPE)
- Colour: Grey
- Self-extinguishing option available
- Material service temperature (unstressed): -40 °C...+100 °C
- Properties: Halogen-free, Silicone-free
- Mounting type: Screw type mounting
- Diam. of screw holes: 7 mm

Installation Range (Ø)

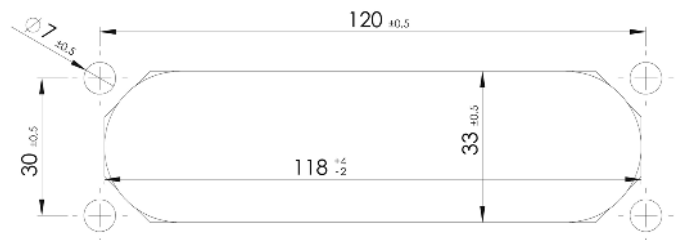
- 2 x 7mm - 12mm
- 8 x 10mm - 30mm

Total of 10 cables

Dimensions of MB 4/10



Cut-out dimensions



B Bulk packed	B Single packed	F Bulk packed with fastener pins	C Single packed with fastener pins
MB 4/10	FL13 cut-out	Single packed 100 pcs/box	Bulk packed 200 pcs/box

Art.No.	Description	Packing code	Material Properties	Weight (g)
105954	MB 4/10 LIGHT GREY UL94 V-0	●	UL94 V-0	75



MB 5/11



Advantages

- Fast and easy assembly
- High cable density
- Double sealing with excellent IP protection when cables are bent
- Screw mounting
- Suitable for both indoor and outdoor use

Technical Specifications

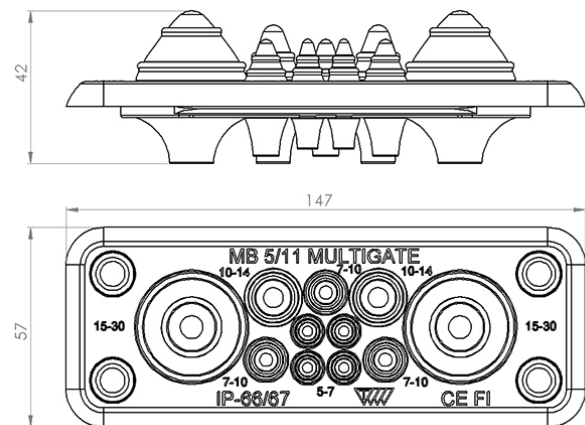
- IP rating: IP66 and IP67
- Material: Thermoplastic elastomer
- Metal reinforcement: zinc coated steel
- Colour: Grey
- Self-extinguishing option available
- Material service temperature (unstressed): -40 °C...+100 °C
- Mounting type: Screw type mounting
- Diam. of screw holes: 7 mm

Installation Range (Ø)

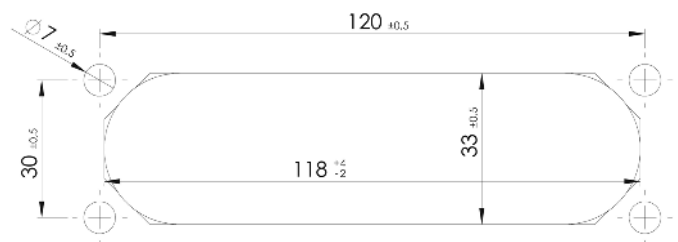
- 4 x 5mm - 7mm 2 x 10mm - 14mm
- 3 x 7mm - 10mm 2 x 15mm - 30mm

Total of 11 cables

Dimensions of MB 5/11



Cut-out dimensions



B Bulk packed	B Single packed	F Bulk packed with fastener pins	C Single packed with fastener pins
MB 5/11	FL13 cut-out	Single packed 100 pcs/box	Bulk packed 200 pcs/box

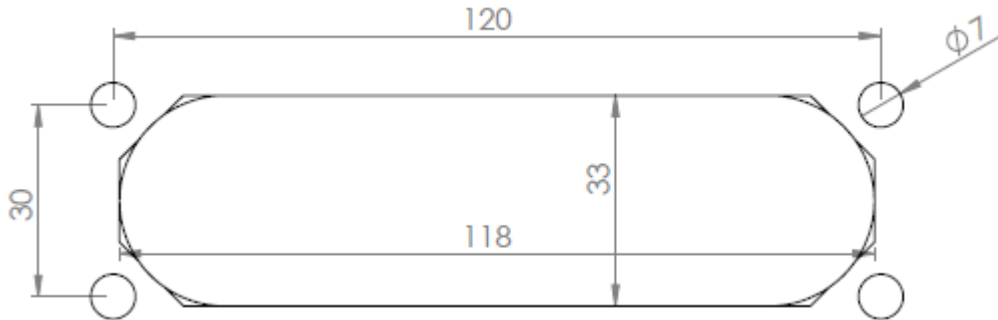
Art.No.	Description	Packing code	Material Properties	Weight (g)
105044	MB 5/11 LIGHT GREY UL94 V-0	●	UL94 V-0, self-extinguishing	85
105044B	MB 5/11 LIGHT GREY UL94 V-0	●	UL94 V-0, self-extinguishing	85
103608	MB 5/11 LIGHT GREY	●	halogen-free	95
103608B	MB 5/11 LIGHT GREY	●	halogen-free	95
103607	MB 5/11 GREY	●	halogen-free	95
103607B	MB 5/11 GREY	●	halogen-free	95



Fixing details / Ausschnittsmasse

Multigate-Serie: B / C-Standard

FL13



FL21

