



SPLITTING MULTIGATES

Often cables come with connectors that cannot be removed and re-attached. Trelleborg splitting multigates are a solution that allows the cables be installed with the connectors, and on top of that, the cables can be changed as often as wanted.



Splitting gland plates for cables with attached connectors



An ideal solution for cables with pre-attached connectors. Quick assembly with minimal tools.





MC 2x8-64



Advantages

- Can be used with pre-terminated cables
- Robust design
- Good strain relief
- Suitable for both indoor and outdoor use

Technical Specifications

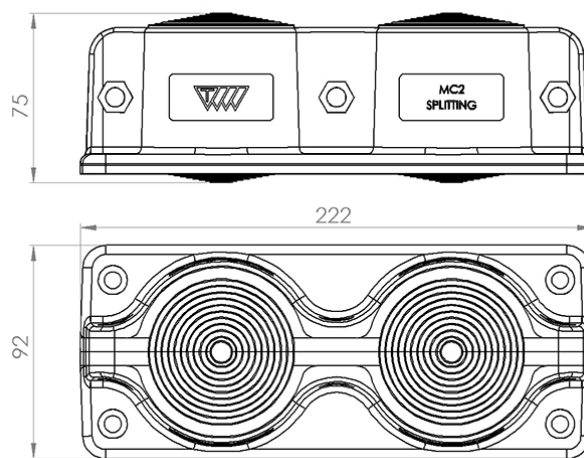
- IP rating: IP55
- Material: thermoplastic elastomer and fiberglass reinforced plastic
- Colour: black
- Self-extinguishing option available
- Material service temperature (unstressed): -40 °C...+90 °C
- Diameter of screw holes: 9 mm

Installation Range (Ø)

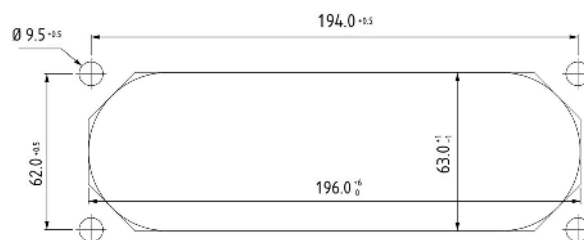
2 x 8mm - 64mm

Total of 2 cables

Dimensions of MC 2x8-64



Dimensions of mounting hole FL21



B

Bulk
packed

F

Single
packed

C

Bulk packed
with fastener
pins

A

Single
packed with
fastener pins

MC 2x8-64

Splitting
multigates

Bulk packed
10 pcs/box

Art.No.	Description	Packing code	Material Properties	Weight (g)
100074	MC 2x8-64 SPLITTING GROMMET UL94 V-0	●	UL94 V-0, self-extinguishing	1090
106633	MC 2x8-64 SPLITTING	●	halogen-free	945



MC 2/10
MC 2/18



Advantages

- Can be used with pre-terminated cables
- Robust design
- Good strain relief
- Suitable for both indoor and outdoor use

Technical Specifications

- IP rating: IP55
- Material: thermoplastic elastomer and fiberglass reinforced plastic
- Colour: black
- Self-extinguishing option available
- Material service temperature (unstressed): -40 °C...+90 °C
- Diameter of screw holes: 9 mm

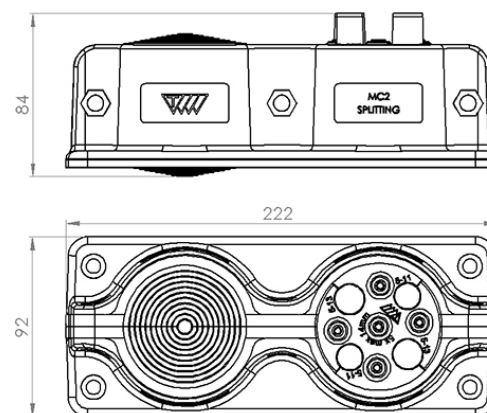
Installation Range (Ø)

5 x 1mm - 14mm	10 x 1mm - 14mm
2 x 5mm - 13mm	4 x 5mm - 11mm
2 x 5mm - 11mm	4 x 5mm - 13mm
1 x 8mm - 67mm	

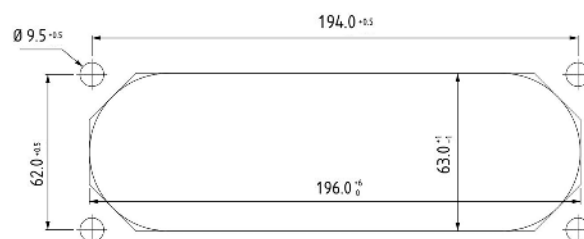
Total of 10 cables

Total of 18 cables

Dimensions of MC 2/10



Cut-out dimensions



B

Bulk
packed

F

Single
packed

C

Bulk packed
with fastener
pins

A

Single
packed with
fastener pins

MC 2/10
MC 2/18

Splitting
multigates

Bulk packed
10 pcs/box

Art.No.	Description	Packing code	Material Properties	Amount of Cable lead troughs	Weight (g)
106618	MC 2/10 SPLITTING UL94 V-0	●	UL94 V-0, self-extinguishing	10	1090
106619	MC 2/18 SPLITTING UL94 V-0	●	UL94 V-0, self-extinguishing	18	1090

MC 1x8-64



Advantages

- Can be used with pre-terminated cables
- Robust design
- Good strain relief
- Suitable for both indoor and outdoor use

Technical Specifications

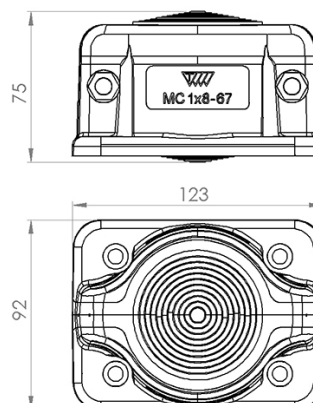
- IP rating: IP55
- Material: thermoplastic elastomer and fiberglass reinforced plastic
- Colour: black
- Self-extinguishing option available
- Material service temperature (unstressed): -40 °C...+90 °C
- Diameter of screw holes: 9 mm

Installation Range (Ø)

1 x 8mm - 64mm

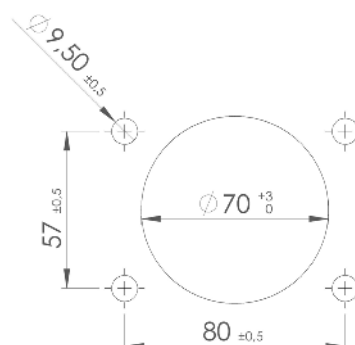
Total of 1 cable

Dimensions of MC 1x8-64



A Bulk packed	B Single packed	F Bulk packed with fastener pins	C Single packed with fastener pins
MC 1x8-64	Splitting multigates	Bulk packed 20 pcs/box	

Cut-out dimensions



Art.No.	Description	Packing code	Material Properties	Weight (g)
106582	MC 1 8-64 SPLITTING UL94 V-0	●	UL94 V-0, self-extinguishing	570
106692	MC 1 8-64 SPLITTING	●	halogen-free	495



Advantages

- Can be used with pre-terminated cables
- Robust design
- Suitable for both indoor and outdoor use

Technical Specifications

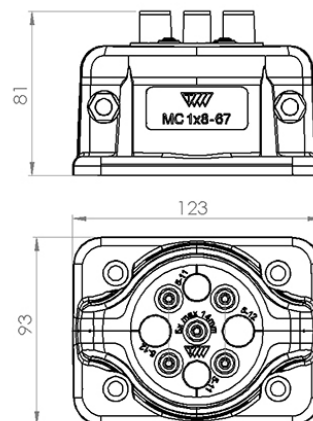
- IP rating: IP55
- Material: thermoplastic elastomer and fiberglass reinforced plastic
- Colour: black
- Self-extinguishing option available
- Material service temperature (unstressed): -40 °C...+90 °C
- Diameter of screw holes: 9 mm

Installation Range (Ø)

- 4 x 5mm - 11mm
- 4 x 5mm - 13mm

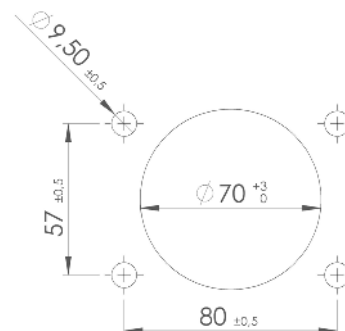
Total of 9 cable

Dimensions of MC 1/9



A Bulk packed	B Single packed	F Bulk packed with fastener pins	C Single packed with fastener pins
MC 1/9	Splitting multigates	Bulk packed 20 pcs/box	

Cut-out dimensions



Art.No.	Description	Packing code	Material Properties	Weight (g)
106825	MC 1/9 SPLITTING UL94 V-0	●	UL94 V-0, self-extinguishing	495



SCG 2x3-35



Advantages

- Can be used with pre-terminated cables
- Robust design
- Good strain relief
- Suitable for both indoor and outdoor use

Technical Specifications

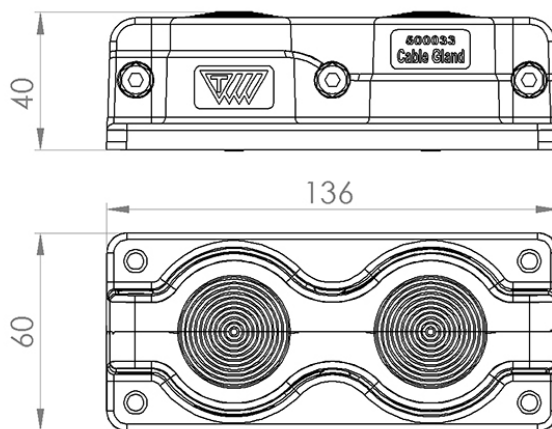
- IP rating: IP55
- Material: silicone rubber and fiberglass reinforced plastic
- Colour: black
- Made of self-extinguishing material
- Material service temperature (unstressed): -40 °C...+90 °C
- Diameter of screw holes: 5.5 mm

Installation Range (Ø)

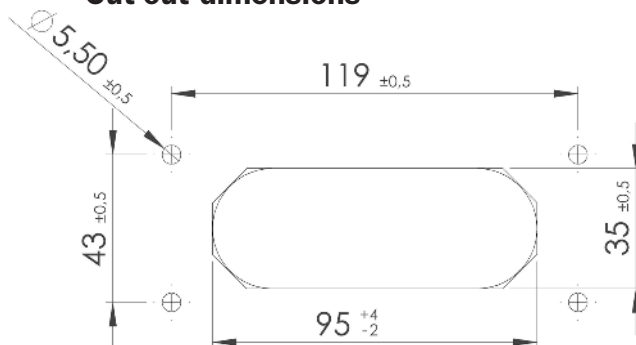
2 x 3mm - 35mm

Total of 2 cable

Dimensions of SCG 2x3-35



Cut-out dimensions



B
 Bulk packed

F
 Single packed

C
 Bulk packed with fastener pins

A
 Single packed with fastener pins

SCG 2x3-35

Splitting multigates

Bulk packed 50 pcs/box

Art.No.	Description	Packing code	Material Properties	Weight (g)
105929	SCG 2 (3-35)	●	UL94 V-0, self-extinguishing	265



SCG 1x3-35



Advantages

- Can be used with pre-terminated cables
- Robust design
- Good strain relief
- Suitable for both indoor and outdoor use

Technical Specifications

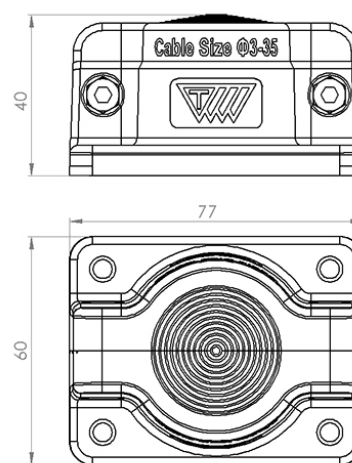
- IP rating: IP55
- Material: silicone rubber and fiberglass reinforced plastic
- Colour: black
- Made of self-extinguishing material
- Material service temperature (unstressed): -40 °C...+90 °C
- Diameter of screw holes: 5.5 mm

Installation Range (Ø)

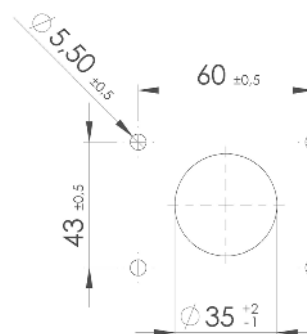
2 x 3mm - 35mm

Total of 1 cable

Dimensions of SCG 1x3-35



Cut-out dimensions



A Bulk packed	B Single packed	F Bulk packed with fastener pins	C Single packed with fastener pins
SCG 1x3-35	Splitting multigates	Bulk packed 100 pcs/box	

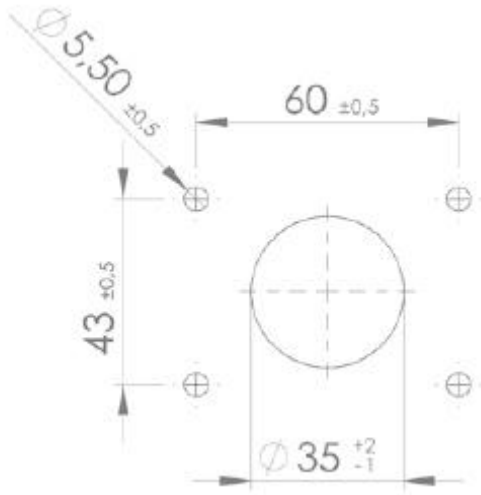
Art.No.	Description	Packing code	Material Properties	Weight (g)
105928	SCG 1 (3-35)	●	UL94 V-0, self-extinguishing	160



Fixing details / Ausschnittsmasse

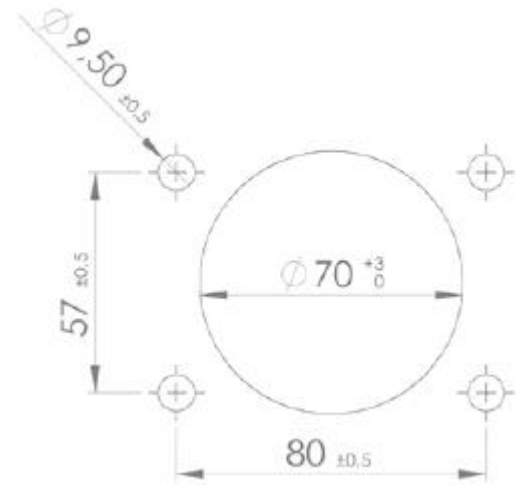
Multigate-Serie: Splitting Multigates

SCG 1x3-35

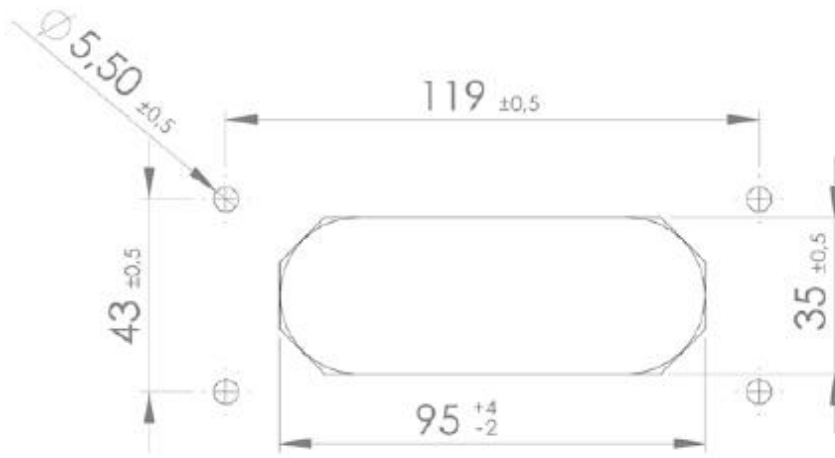


MC 1x8-67

MC 1/9



SCG 2x3-35



MC 2x8-67

