

ConeX3 Primary Conical Spring



SMART PRODUCTS FOR A DIGITAL FUTURE

ConeX3

SMART PRODUCTS FOR A DIGITAL FUTURE

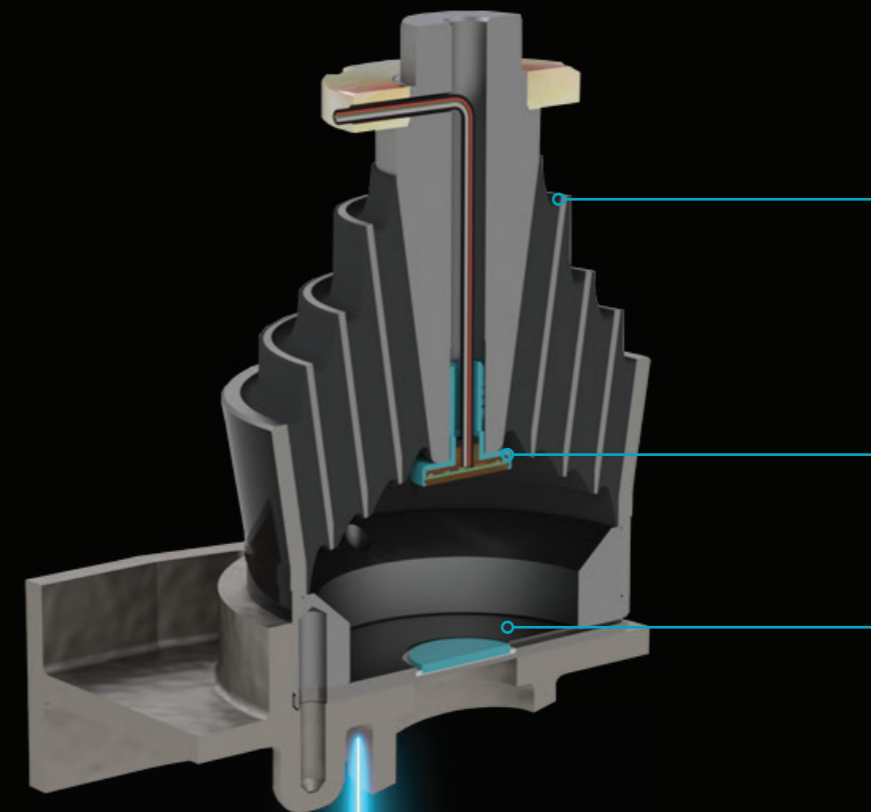
We combine high quality materials and dynamic measurement data with the expert knowledge of our rail engineering specialists.

The ConeX3 measuring system for conical springs. Measuring set / creep (static) and 3D deflections (dynamic) of conical primary springs in railway applications.

BENEFITS

The advantages of monitoring Bogie components:

- Prominent position for measuring operational loads
- Economical way of gathering real-life load collectives (e.g. for further development and adaption of maintenance intervals)
- Predict malfunctions – also of other components in the bogie (wheel flats, bearings, dampers, bushes, etc.)



Primary Spring

Performance characteristics unaffected by sensor integration

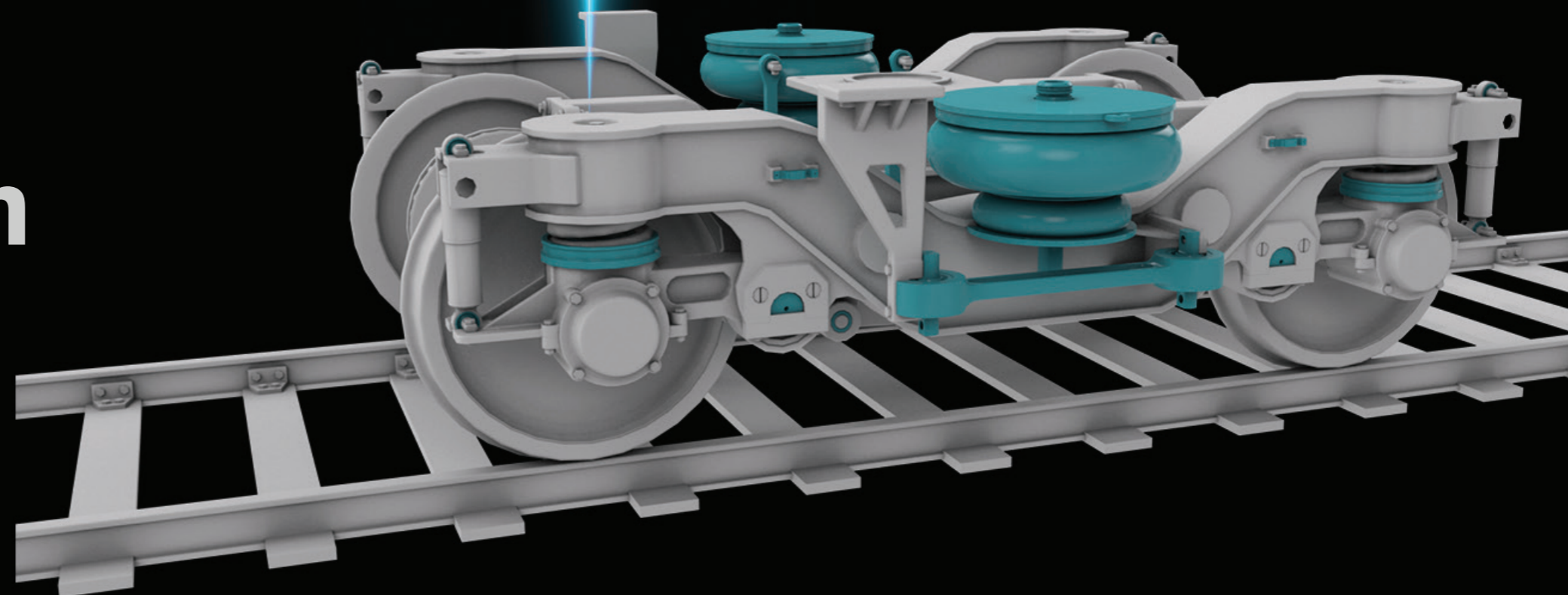
Sensor PCB

3D deflection measurement system

Base Plate

Design allows assembly to be retrofitted without modifications to installation space

The frontline of
rail innovation





Trelleborg Antivibration Solutions (AVS) - Leading the Frontier of Innovation in Noise and Vibration Control. With our advanced polymer technology and expertise in rubber-to-metal bonding, we're pioneers in combating noise and vibration. As part of Trelleborg Group's Industrial Solutions, we bring over a century of excellence to various sectors like rail, marine, and industrial. Our focus is on crafting isolation, attenuation, and suspension solutions that redefine quality and reliability. Our new value proposition, "The Frontline of Innovation," signifies our commitment to pushing polymer technology's limits. We enhance comfort, safety, and efficiency while extending product life and optimizing costs. Join us at Trelleborg AVS for innovation-driven excellence.



Website



Linked In

WWW.TRELLEBORG.COM/ANTI-VIBRATION-SOLUTIONS

ANTIVIBRATION@TRELLEBORG.COM