



SWIVEL FLANGE

(Stainless steel 316)

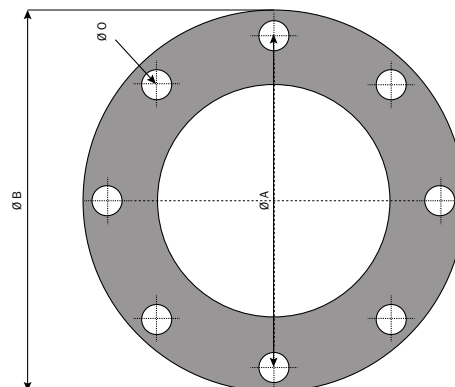
TECHNICAL INFORMATION

- PN 10/16 - PN 10/40 - PN 25/40 according to NF EN 1092-1
- 150 LBS/300 LBS according to ASME/ANSI B16.5, EN 1759-1
- Material: stainless steel 316L/1.4404

RELATED PRODUCTS

- Swivel Flange End UTS coupling
- Assembly kit (nut + screw + fiber gasket)

www.trelleborg.com/fluidhandling



PN 10-16 / PN 10-40 **SS316L**

Part number	DN (mm)	A (mm)	B (mm)	Hole N x O (mm)
5105024	15	25	95	4 x 14
5105025	20	31	105	4 x 14
5105026	25	38	115	4 x 14
5105027	32	47	140	4 x 18
5105028	40	53	150	4 x 18
5105029	50	65	165	4 x 18
5105030	65	81	185	8 x 18
5105031	80	94	200	8 x 18
5105032	100	120	220	8 x 18
5105033	125	145	250	8 x 18
5105034	150	174	285	8 x 22
5103960	200 (PN10)	226	340	8 x 22
5103961	200 (PN16)	226	340	12 x 22

150 LBS **SS316L**

Part number	DN (mm)	A (mm)	B (mm)	Hole N x O (mm)
5105036	15	22.9	88.9	4 x 15.9
5105037	20	28.2	98.5	4 x 15.9
5105038	25	35.1	107.9	4 x 15.9
5105039	32	43.7	117.3	4 x 15.9
5105040	40	50.0	127.0	4 x 15.9
5105041	50	62.5	152.4	4 x 19
5105042	65	75.4	177.8	4 x 19
5105043	80	91.4	190.5	4 x 19
5105044	100	116.8	228.6	8 x 19
5103962	125	144.5	254.0	8 x 22.2
5103963	150	171.5	279.4	8 x 22.2
5103964	200	222.2	342.9	8 x 22.2

300 LBS **SS316L**

5105045	15	22.9	95.3	4 x 15.9
5105046	20	28.2	117.4	4 x 19
5105047	25	35.1	124.0	4 x 19
5105048	32	43.7	133.3	4 x 19
5105049	40	50.0	155.5	4 x 22.2
5105050	50	62.5	165.1	8 x 19
5105051	65	75.4	190.5	8 x 22.2
5105052	80	91.4	209.6	8 x 22.2
5105053	100	116.8	254.0	8 x 22.2
5103965	125	144.5	279.4	8 x 22.2
5103966	150	171.5	317.5	12 x 22.2
5103967	200	222.2	381.0	12 x 25.4



SWIVEL FLANGE (Carbon Steel)

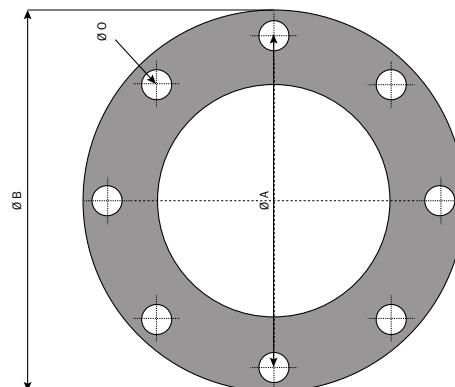
TECHNICAL INFORMATION

- PN 10/16 - PN 10/40 - PN 25/40 according to NF EN 1092-1
- 150 LBS/300 LBS according to ASME/ANSI B16.5, EN 1759-1
- Material: S235 JR or equivalent

RELATED PRODUCTS

- Swivel Flange End UTS coupling
- Assembly kit (nut + screw + fiber gasket)

www.trelleborg.com/fluidhandling



PN 10-16 / PN 10-40		CARBON STEEL		
Part number	DN (mm)	A (mm)	B (mm)	Hole N x O (mm)
5103874	15	25	95	4 x 14
5103875	20	31	105	4 x 14
5103876	25	38	115	4 x 14
5103877	32	47	140	4 x 18
5103878	40	53	150	4 x 18
5103879	50	65	165	4 x 18
5103880	65	81	185	8 x 18
5103881	80	94	200	8 x 18
5103882	100	120	220	8 x 18
5103883	125	145	250	8 x 18
5103884	150	174	285	8 x 22
5103885	200 (PN10)	226	340	8 x 22
5103886	200 (PN16)	226	340	12 x 22

150 LBS		CARBON STEEL		
Part number	DN (mm)	A (mm)	B (mm)	Hole N x O (mm)
5103936	15	22.9	88.9	4 x 15.9
5103937	20	28.2	98.5	4 x 15.9
5103938	25	35.1	107.9	4 x 15.9
5103939	32	43.7	117.3	4 x 15.9
5103940	40	50.0	127.0	4 x 15.9
5103941	50	62.5	152.4	4 x 19
5103942	65	75.4	177.8	4 x 19
5103943	80	91.4	190.5	4 x 19
5103944	100	116.8	228.6	8 x 19
5103945	125	144.5	254.0	8 x 22.2
5103946	150	171.5	279.4	8 x 22.2
5103947	200	222.2	342.9	8 x 22.2

300 LBS		CARBON STEEL		
Part number	DN (mm)	A (mm)	B (mm)	Hole N x O (mm)
5103948	15	22.9	95.3	4 x 15.9
5103949	20	28.2	117.4	4 x 19
5103950	25	35.1	124.0	4 x 19
5103951	32	43.7	133.3	4 x 19
5103952	40	50.0	155.5	4 x 22.2
5103953	50	62.5	165.1	8 x 19
5103954	65	75.4	190.5	8 x 22.2
5103955	80	91.4	209.6	8 x 22.2
5103956	100	116.8	254.0	8 x 22.2
5103957	125	144.5	279.4	8 x 22.2
5103958	150	171.5	317.5	12 x 22.2
5103959	200	222.2	381.0	12 x 25.4