



Instructions for the preparation and first use

Air Blower CBV 1500/9 – 0.5 bar

TABLE OF CONTENTS

1.0. PREPARATION OF THE AIR BLOWER FOR USE	3
1.1. FILL THE MOTOR WITH OIL	3
1.2. FILL FUEL TANK WITH FUEL	4
1.3. FILL THE PUMP WITH OIL	5
1.4. PUMP LUBRICATION	6
1.5. REMOVAL OF UPPER AND FRONT COVER	7

1.0. PREPARATION OF THE AIR BLOWER FOR USE

To prepare the air blower for use, one should:

- fill the motor with oil,
- fill fuel tank with fuel,
- check and fill oil in the pump,
- check and fill grease in the pump if required.

1.1. FILL THE MOTOR WITH OIL



Please ensure you read the enclosed instructions for use of the motor before filling it with oil.

Use oil for four-stroke motors of viscosity grade **SAE 10W-30**. The approximate oil amount required is 1.0 l (0.26 gal). Open the cap to fill the oil. There is one cap on each side of the motor. Each cap is equipped with an oil dipstick. The required oil level is shown in the illustration below.

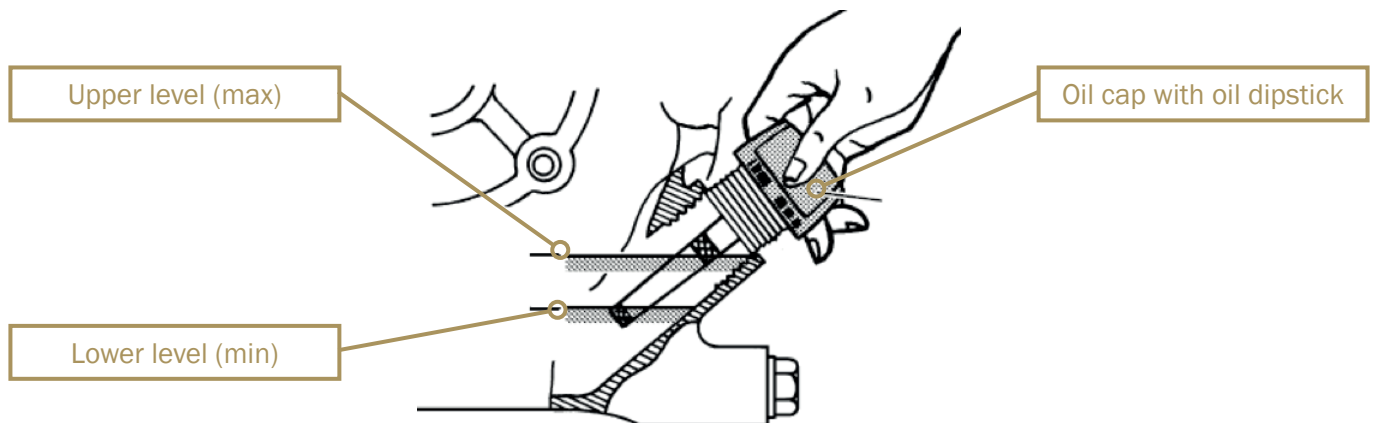


Fig. 1: Required oil amount

To measure the oil level, first wipe the oil dipstick and insert it in the hole **but do not tighten it** (as shown above).



Fig. 2: Oil dipstick for oil level check

After filling the oil or checking its level, retighten the cap in place.

1.2. FILL FUEL TANK WITH FUEL



Please ensure you read the enclosed instructions for use of the motor before filling it with fuel.

Use unleaded ordinary/premium (super) fuel or reformulated gasoline whose ethanol content is below 10 % - (E10) or 15 % MTBE.



WARNING!

- Fuel is highly flammable; explosion hazard exists due to its vapours.
- Do not fill fuel in closed or poorly ventilated spaces.
- Before you fill fuel make sure the motor is switched off.
- Do not open the fuel tank cap nor fill the tank if the motor is still hot. Allow at least 2 minutes for the motor to cool down.
- Immediately wipe off any spilled fuel, let the stains dry and only then start the motor.
- When the tank is filled, make sure that the tank cap is properly tightened to prevent any spills.

Unscrew the fuel tank cap on the fuel tank top.

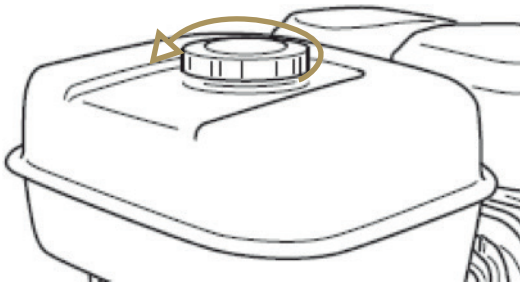


Fig. 3: Unscrew fuel tank cap

Fill the specified fuel through the filter installed on the top of the fuel tank.



Fig. 4: Fuel filling filter

Do not fully fill the tank but stop when the level reaches about 25 mm (1") below the top to ensure enough space for its expansion. The maximum fuel level is shown in the picture below.

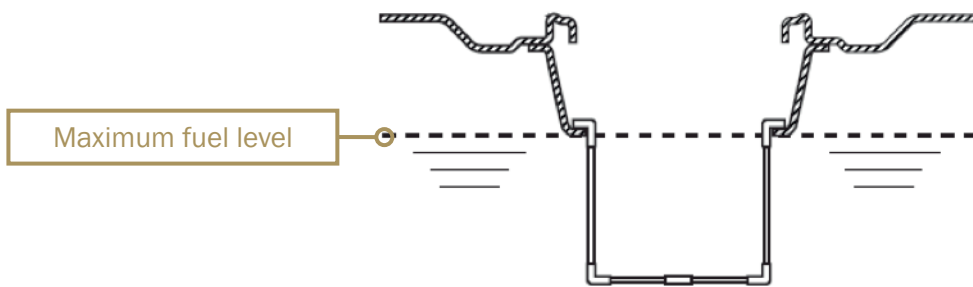


Fig. 5: Maximum fuel level

When the tank is filled as required, retighten the fuel tank cap.

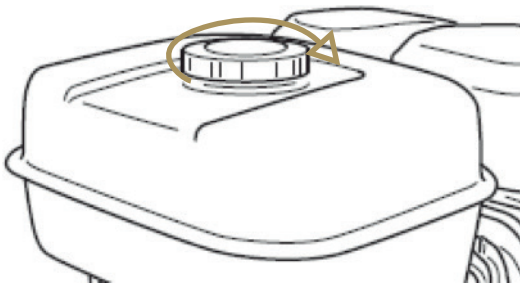


Fig. 6: Close fuel tank cap

Spilled fuel represents explosion and environmental hazard, which is why it should be wiped off immediately.

Store fuel away from heat or spark sources (lights, grills, electrical appliances and tools etc.).

1.3. FILL THE PUMP WITH OIL



Please ensure you read the enclosed instructions for use of the pump before filling it with oil.

Use mineral or synthetic **oil for compressors of the following viscosity grades:**

- **ISO 100** for temperature range from 0 to 32 °C (from 32 to 90 °F),
- **ISO 68** for temperature range from -18 do 0 °C (from 0 to 32 °F),
- **ISO 150** for temperature range from 32 to 50 °C (from 90 to 122 °F).

The approximate amount of oil required is 120 ml (0.032 gallon). Please refer to page 15 of the enclosed pump manual for recommended manufacturers and brands.

Unscrew the vent on the top of the pump (marked A in the picture below). Fill oil through the opening until its level reaches the middle of the measuring glass (marked B in the picture below).

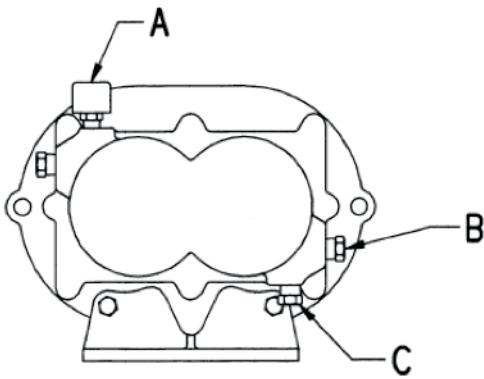


Fig. 7: Points of oil filling and checking

Spilled oil represents explosion and environmental hazard, which is why it should be wiped off immediately.

If required, remove the upper and front covers of the air blower (as described under 1.5) to access it more easily.

1.4. PUMP LUBRICATION



Please ensure you read the enclosed instructions for use of the pump before lubricating it.

Before using the pump for the first time, check if the lubrication nipples are filled with grease. If grease level is insufficient, fill the lubricating nipple. Use grease **NLGI #2** of high heat resistance and good mechanical stability.

Fill the lubricating points (marked in the picture below) by means of a grease gun. Fill both lubricating nipples.

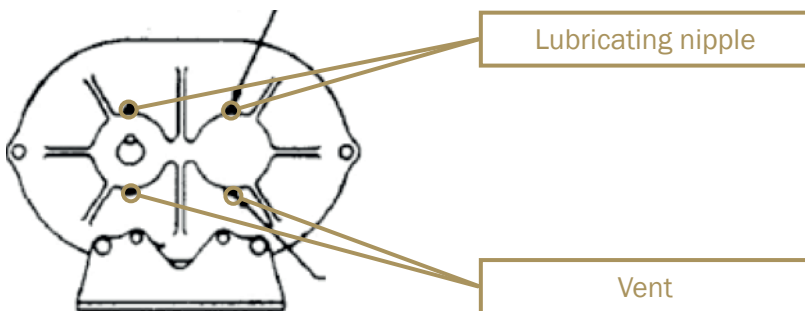


Fig. 8: Lubricating points and vents

Fill the grease until it begins to drip from the vent (marked in the picture above) or until fresh grease begins to ooze out (if replacing the old grease with the new one). Clean the oozed grease from the vent.

If required, remove the upper and front covers of the air blower (as described under 1.5) to access it more easily.

1.5. REMOVAL OF UPPER AND FRONT COVER

Remove the upper and front covers of the air blower to access the pump more easily.

To remove the top cover, unscrew both socket-head screws on the back side of the frame between both covers and the three socket-head screws on the bottom frame between the upper cover and the motor.

To remove the front cover, unscrew the screw on the back side of the frame under the front cover.

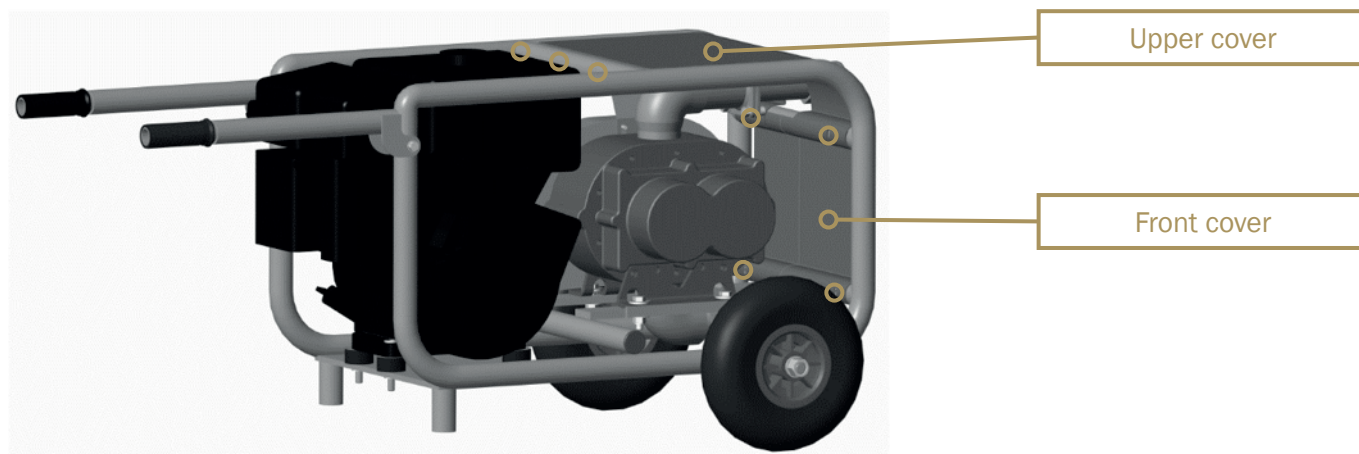


Fig. 9: Marked screws of the upper and front cover

All screws should be unscrewed by means of an Allen key, size 5.



Trelleborg Slovenija, d.o.o.
PA Environmental protection products (PA EKO)

We are a division of Trelleborg Slovenija d.o.o..
We manufacture and sell rubber products for environmental protection and rescue operations and industrial use. Our growing division was established more than thirty years ago and is constantly striving to meet our customer's current and future needs and expectations.

WWW.SAVATECH.EU
WWW.SAVATECH.COM

Instructions for the preparation and first use of the air blower CBV 1500/9 – 0.5 bar

Environmental protection products
phone: +386 (0)4 206 6388
e-mail: info.eko@savatech.si
fax: +386 (0)4 206 6390

Škofjeloška cesta 6, 4000 Kranj, Slovenia

